



**YOURBOX.UK**

1005

# **PRODUCT BROCHURE**

MULTIPLE MAILBOXES

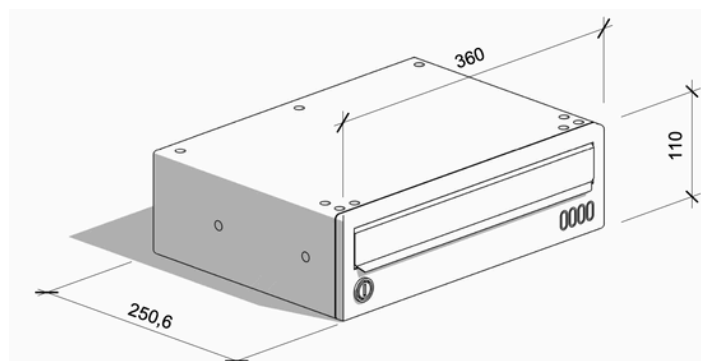
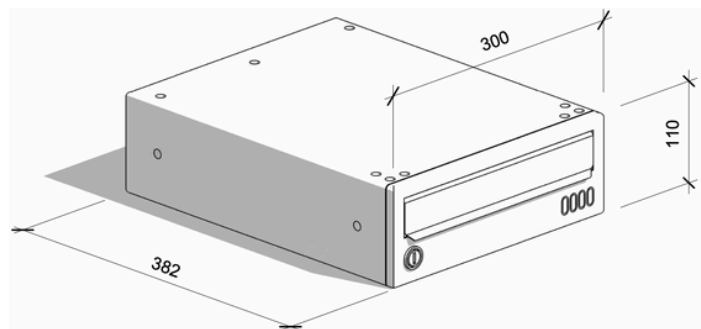
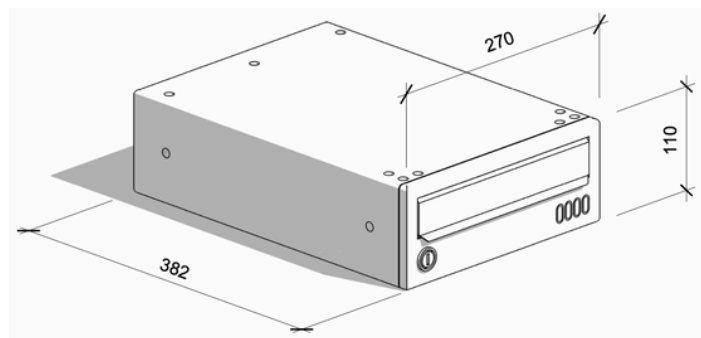
1004

[WWW.YOURBOX.UK](http://WWW.YOURBOX.UK)



## MULTIPLE OCCUPANCY MAILBOXES

This is the most popular setup, with mailboxes available as freestanding units, wall-mounted, or recessed into a wall. Designed for both indoor and outdoor use, these mailboxes accommodate standard A4 mail and meet British Standards as well as Secured By Design Homes 2019 guidelines. We offer three mailbox sizes to suit a variety of project needs, whether for residential buildings or commercial spaces.

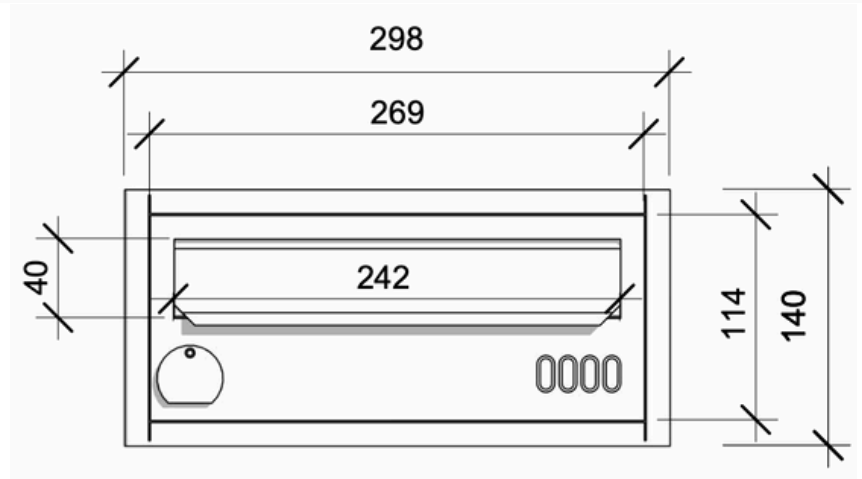
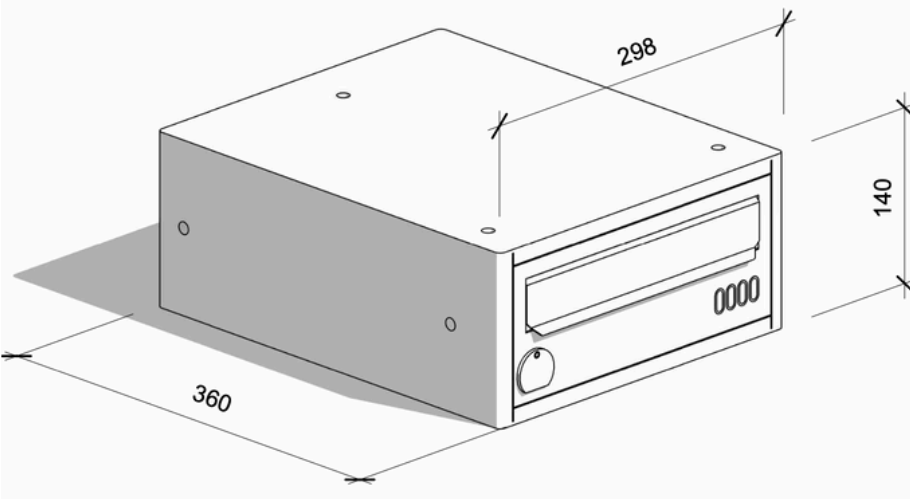




# YB-120

## FIRE RATED MAILBOX

Our fire-rated mailboxes are our most popular product, designed for maximum safety and peace of mind. Perfect for multi-occupancy buildings, they combine durability with compliance, meeting fire safety standards while securely holding your mail.



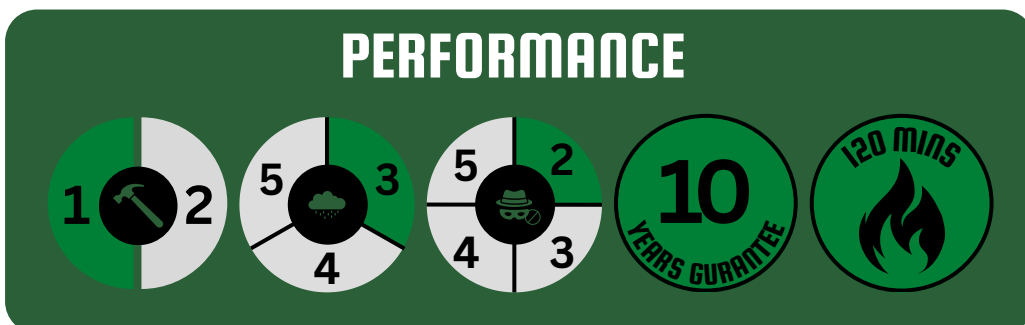
## FRONT

- Fire rated
- Standard door
- Electro-galvanised steel
- Polyester powder coated standard RAL colour.
- Front aperture (242 x 40)
- Anti-theft device
- Standard powdercoated flap
- Clipped perspex window with name tag
- Cam lock with standard cylinder supplied with 2 keys

## BODY

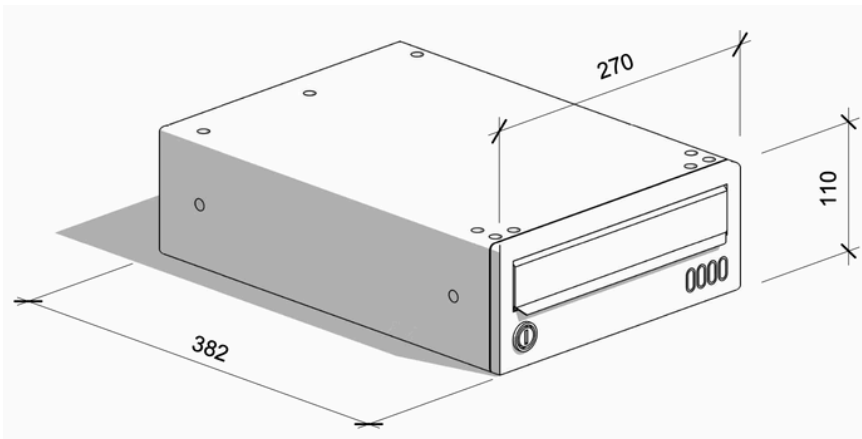
- Dimensions(mm) : 298W x 140H x 360D
- Electro-galvanised steel
- Polyester powder coated standard RAL colour

## PERFORMANCE



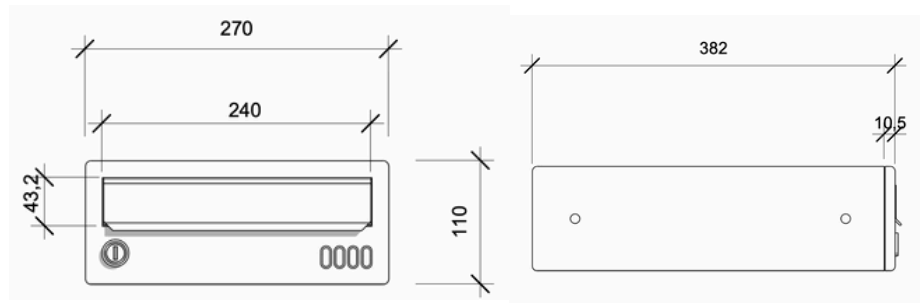
# YB27-1

The YB27-1 mailbox is the narrowest design we offer, making it a space-saving solution without compromising on functionality. Perfect for handling all kinds of post, from letters to small parcels, this sleek and durable mailbox is ideal for a variety of projects.



## FRONT

- Standard door
- Electro-galvanised steel
- Polyester powder coated standard RAL colour.
- Front aperture (240 x 43.2)
- Anti-theft device
- Standard powdercoated flap
- Clipped perspex window with name tag
- Cam lock with standard cylinder supplied with 2 keys



## BODY

- Dimensions(mm) : 270W x 110H x 382D
- Electro-galvanised steel
- Polyester powder coated standard RAL colour

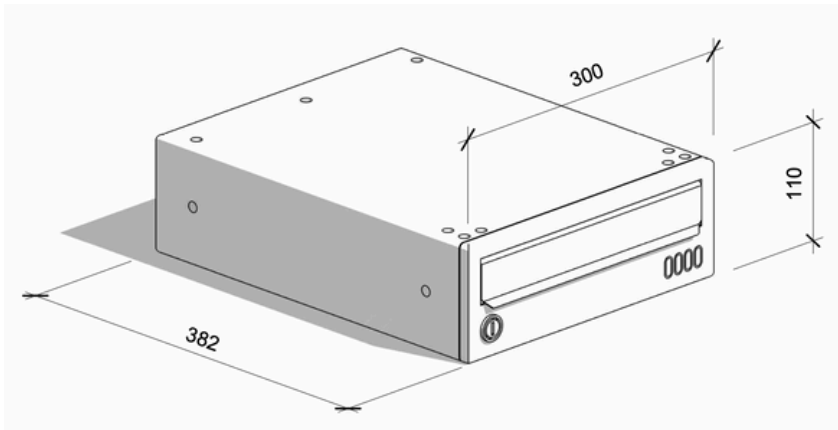
## PERFORMANCE





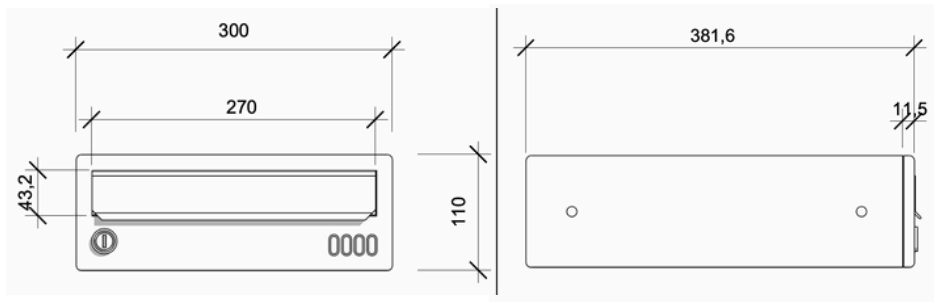
# YB30-1

The YB30-1 mailbox is our medium-sized option, offering the perfect balance between compact design and ample storage capacity. With its maximum depth, it's ideal for accommodating larger volumes of post, including small parcels and bulky envelopes.



## FRONT

- Standard door
- Electro-galvanised steel
- Polyester powder coated standard RAL colour.
- Front aperture (270 x 43.2)
- Anti-theft device
- Standard powdercoated flap
- Clipped perspex window with name tag
- Cam lock with standard cylinder supplied with 2 keys



## BODY

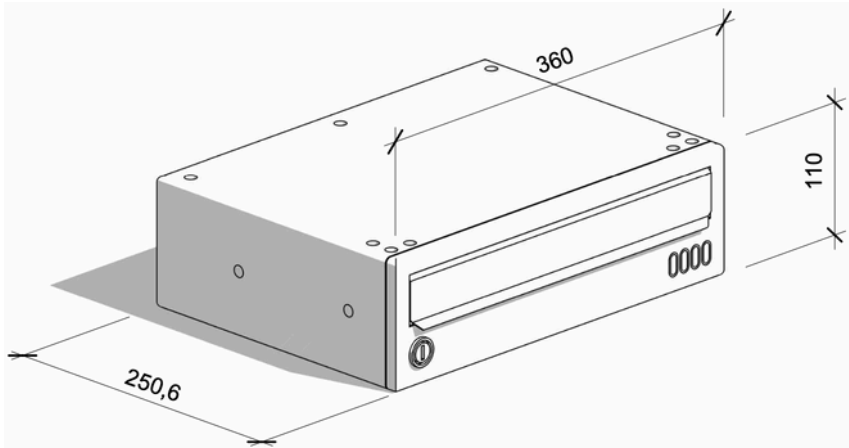
- Dimensions(mm) : 300W x 110H x 382D
- Electro-galvanised steel
- Polyester powder coated standard RAL colour

## PERFORMANCE



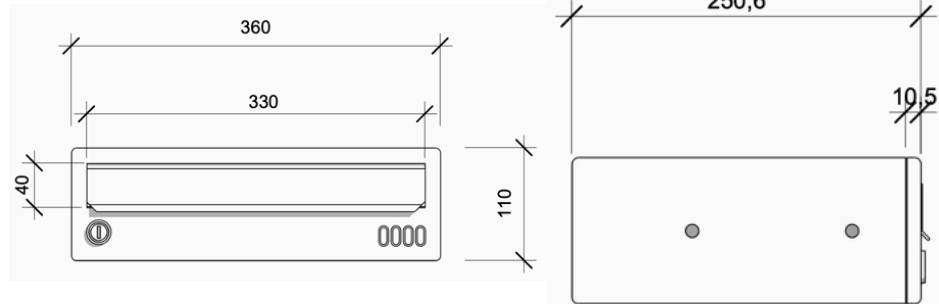
# YB37-1

The YB37-1 mailbox is our widest option, designed to accommodate larger and wider items of mail with ease. While it doesn't have the most depth, its generous width makes it perfect for receiving oversized envelopes and other bulky correspondence.



## FRONT

- Standard door
- Electro-galvanised steel
- Polyester powder coated standard RAL colour.
- Front aperture (330 x 40)
- Anti-theft device
- Standard powdercoated flap
- Clipped perspex window with name tag
- Cam lock with standard cylinder supplied with 2 keys



## BODY

- Dimensions(mm) : 360W x 110H x 250.6D
- Electro-galvanised steel
- Polyester powder coated standard RAL colour

## PERFORMANCE





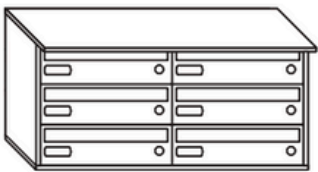
# STANDARDS

- Secured by Design Homes 2019 guide compliant
- Royal Mail compliant
- British Standard BS EN 13724 compliant

# OPTIONS

- Surround
- Stands
- Soft close flap
- Master key
- Anti-arson
- Electronic lock
- High security lock
- Access control
- Permanent engraving with ink infill

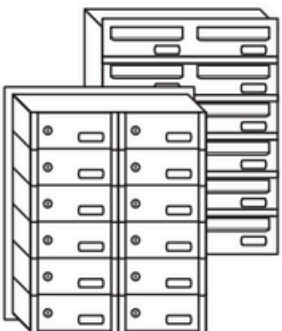
# APPLICATION



Horizontal



Vertical



Through the wall

# FINISHES



Signal White  
9003



Matt Black  
9005



Anthracite Grey  
7016



Silver  
9006



Forest Green  
6009



Ferrari  
3020



Blue  
5002



Brown  
8017

\*Custom colours are also available to suit your specific needs and preferences.



# YOURBOX.UK

Ready to find the perfect mailbox solution? Get in touch today to discuss your requirements—we're here to help!



YOURBOX

Email: [info@yourbox.uk](mailto:info@yourbox.uk)

Web: [yourbox.uk](http://yourbox.uk)

